

GENIE®

membrane separator
Model 130HPM



U.S. Patent 5,476,586

Applications

- ▶ Protection against liquids
 - ▶ On-line and portable analyzers
 - ▶ GC's, Mass Specs, O₂, H₂S, Moisture, and others
- ▶ Spot, composite, or continuous gas sampling in any process industry including natural gas, petrochemical, and oil refining

Benefits

- ▶ Superior analyzer protection
- ▶ Helps preserve sample integrity
- ▶ Extended membrane service life
- ▶ Increased tolerance to slugs of liquid
- ▶ Reduces analyzer maintenance
- ▶ Improves analyzer reliability

Features

- ▶ Genie® Membrane Technology™
- ▶ Low internal volume
- ▶ Built-in membrane retention
- ▶ Straight through Bypass
- ▶ Simple design
- ▶ Optional G.U.T.S.™ seal

Quick Study

The Series 100 Genie® Membrane Separators™

remove 100% of entrained liquid and particulate in gas samples, which allows only gas sample to flow to analyzers. This action protects analyzers and sample system components against liquid damage. The original Genie® Series 100 models are available in several body styles with different membrane types to accommodate a wide variety of applications. The Genie® Supreme Series™ 100 models accommodate the same applications, yet they offer an improved housing design for easy maintenance and the innovative Liquid Block Technology™ that prevents liquid from being forced across the membrane should sample line pressure conditions become upset.

The Model 130HPM

protects gas systems where the pressure requirement is between 500 psig and 1500 psig. This model has been modified to include a straight-through fluid flow path between Inlet and Bypass ports that provides an inertial pre-separation of the solids and liquids from the gas sample, which extends membrane life. It is comparable to the Genie® Supreme Series™ Model 123HP and also includes a built-in membrane retention plate, which prevents membrane damage should reverse flow occur.

Technical Specifications

Maximum pressure rating	1,500 psig 750 psig with G.U.T.S.™ Seal
Maximum recommended supply pressure	Lowest possible pressure consistent with application* *Must not exceed "Pressure rating" listed above
Maximum temperature	185 °F (85 °C) for Type 6/BTU membrane 302 °F (150 °C) for Hi-Flow/Hi-Flow Backed membrane
Maximum recommended membrane flow rate (For higher flow rates contact the factory)	5,130 cc/min for Type 6/BTU membrane* 18,000 cc/min for Hi-Flow/Hi-Flow Backed membrane* *Maximum flow results in approximately 2 psi membrane differential pressure
Port sizes	Inlet, Outlet, & Bypass: 1/4" female NPT
Internal volume	Inlet: 0.55 cubic inches Outlet: 0.30 cubic inches
Wetted materials	Machined parts : 316 stainless steel / NACE compliant All other metal parts: stainless steel / NACE compliant Sealing material: Viton® standard Membrane: Inert



An ISO 9001:2008 certified company



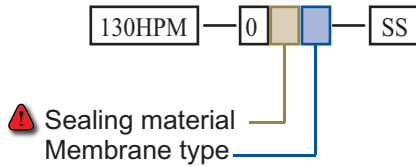
Genie®, Genie® Membrane Technology™, Genie® Membrane Separators™ are trademarks or registered trademarks of A+ Corporation, LLC. All other referenced trademarks are the property of their respective owners.

Model Numbering & Additional Part Numbers

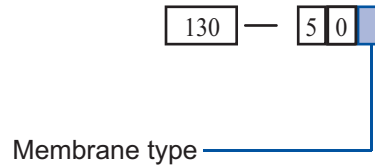
Your model number is determined by your specific needs. Choose options below.

Sealing material ⚠	0 = Viton®	1 = Kalrez®	T = G.U.T.S.™ (other materials available upon request)
Membrane type	2 = Hi-Flow	6 = Tyoe 6/BTU	7 = Hi-Flow Backed (not available with G.U.T.S.)
Mounting bracket accessory	Part # 130HPM-509-SS (sold separately)		
O-ring replacement	Part # 130-500 (sold separately)		

How to build the model number:



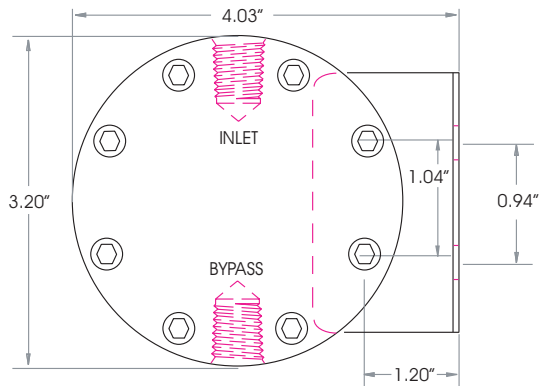
How to build the replacement membrane kit number:



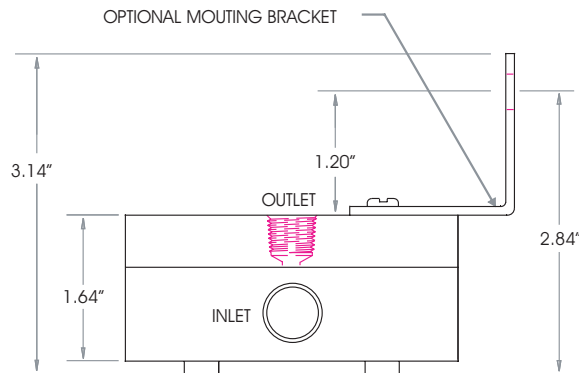
⚠ We cannot recommend specific sealing materials due to the complex nature of sample stream compositions. Temperature and pressure also may be factors.
 ⚠ Unless specified otherwise, the product will ship with our standard sealing materials and materials of construction stated in the technical specifications section of the corresponding Product Sheet. ⚠ Please refer to www.dupontelastomers.com for sealing material recommendations and advice. It is the user's responsibility to specify the sealing materials and other materials of construction for their application.

Dimensions

Front View



Top View



Local Distributor:



An ISO 9001:2008 certified company

Manufacturer

A+ Corporation, LLC

41041 Black Bayou Road

Gonzales, LA 70737

Call for expert product application assistance:

Phone: (225)-644-5255 Website: www.geniefilters.com

Fax: (225)-644-3975 E-mail: sales@geniefilters.com

©2010 A+ Corporation, LLC. All rights reserved.

SCC-130HPM-PS_0611