

U.S. Patent 5,476,586

Applications

- ▶ Protection against liquids
 - ▶ On-line and portable analyzers
 - ▶ GC's, Mass Specs, O₂, H₂S, Moisture, and others
- ▶ Spot, composite, or continuous gas sampling in any process industry including natural gas, petrochemical, and oil refining

Benefits

- ▶ Superior analyzer protection
- ▶ Quick and easy installation
- ▶ Economical
- ▶ Helps preserve sample integrity
- ▶ Improves analyzer reliability
- ▶ Reduces analyzer maintenance
- ▶ Provides flow indication

Features

- ▶ Easy installation
- ▶ One part number for all necessary components
- ▶ All necessary components assembled
- ▶ Genie® Membrane Technology™
- ▶ Low internal volume
- ▶ Liquid Block™ can be retrofitted

Quick Study

The **Model 101 Universal Assembly™** is a pre-assembled kit that includes all the necessary components required for easy, proper installation into an existing sample system. This model includes a 316 SS Genie® Model 101 equipped with a Membrane Retention Plate (MRP), your choice of membrane, a rotameter, a mounting bracket, and all the basic fittings*. The Genie® Model 101 protects gas sample systems with relatively low sample flow requirements and small amounts of liquid present on a continuous basis. Comparable to the Genie® Supreme Series™ 120, it offers a 1" diameter membrane ideal for removing liquid aerosol or droplets from gas samples and for protecting components such as on-line analyzers, gas chromatographs, or BTU analyzers. *Outlet tubing not included.

Technical Specifications

| | | |
|--|--|--|
| Maximum pressure rating | Stainless Steel Kynar | 100 psig (due to rotameter limitations) 50 psig |
| Maximum recommended supply pressure | Lowest possible pressure consistent with application* *Must not exceed "Pressure rating" listed above | |
| Maximum temperature | 185 °F (85 °C) for Type 6/BTU membrane 212 °F (100 °C) for Hi-Flow/Hi-Flow Backed membrane* *Applies to Kynar housing 302 °F (150 °C) for Hi-Flow/Hi-Flow Backed membrane* *Applies to Stainless Steel housing | |
| Maximum recommended membrane flow rate (For higher flow rates contact the factory) | 1,440 cc/min for Type 6/BTU membrane* 5,000 cc/min for Hi-Flow/Hi-Flow Backed membrane* *Maximum flow results in approximately 2 psi membrane differential pressure | |
| Port sizes | Inlet, Outlet, & Bypass: 1/4" female NPT | |
| Internal volume | Inlet: 0.30 cubic inches Outlet: 0.09 cubic inches | |
| Wetted materials | Machined parts : 316 stainless steel / NACE compliant All other metal parts: stainless steel / NACE compliant Sealing material: Viton® standard Membrane: Inert | |

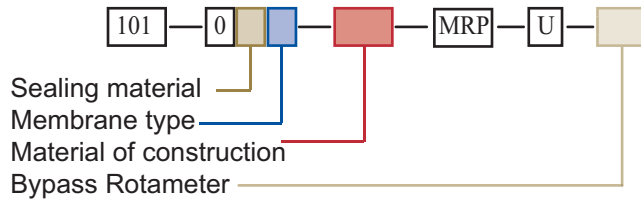


Model Numbering & Additional Part Numbers

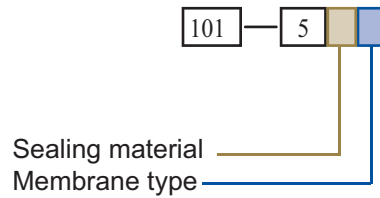
Your model number is determined by your specific needs. Choose options below. Part # 101-005-SS-MRP-U-1 is recommended for most applications.

| | | | |
|--|-----------------------|--------------------|--|
| Sealing material | 0 = Viton® | 1 = Kalrez® | (other materials available upon request) |
| Membrane type | 2 = Hi-Flow | 6 = Type 6/BTU | 7 = Hi-Flow Backed |
| Material of construction | SS = Stainless Steel | K = Kynar | |
| Bypass Rotameter** **Dwyer Rotameter with Integral Valve | 0 = Without Rotameter | 1 = 10-100 cc/min* | 2 = 100-1000 cc/min* |

How to build the model number:

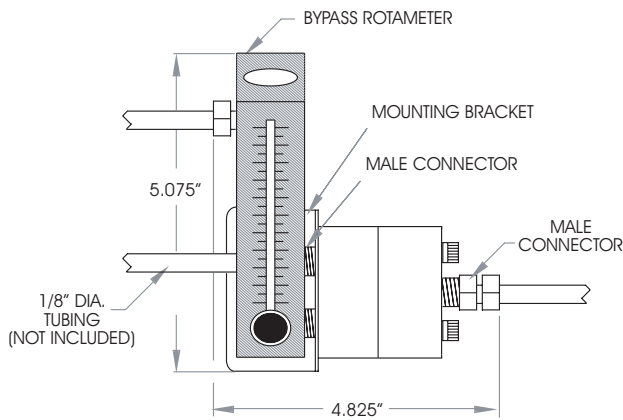


How to build the replacement membrane kit number:

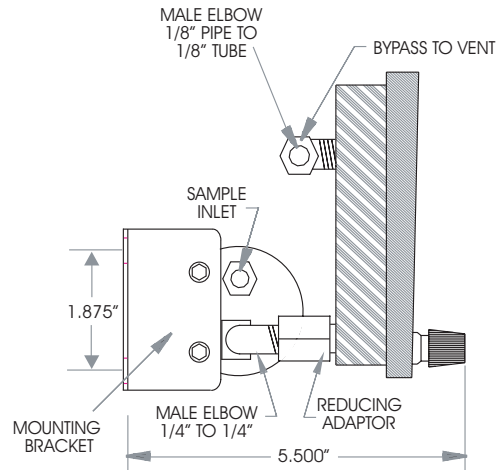


Dimensions

Front View



Side View



Local Distributor:



An ISO 9001:2008 certified company

Manufacturer

A+ Corporation, LLC

41041 Black Bayou Road

Gonzales, LA 70737

Call for expert product application assistance:

Phone: (225)-644-5255 Website: www.geniefilters.com

Fax: (225)-644-3975 E-mail: sales@geniefilters.com

©2010 A+ Corporation, LLC. All rights reserved.

SCC-101UA-PS_0414