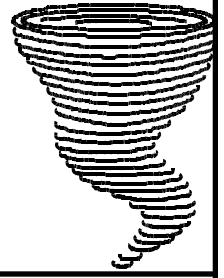
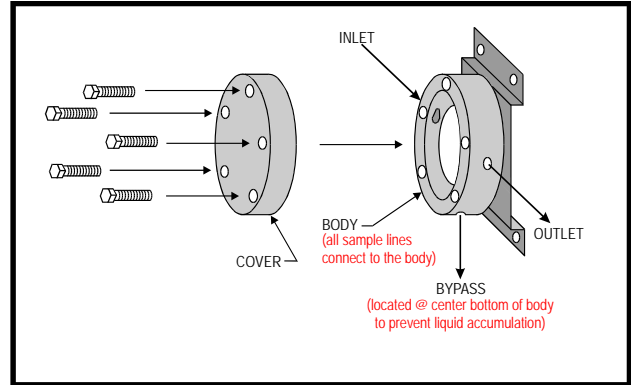


TORNADO

SELF-CLEANING FILTERS



TORNADO
SELF-CLEANING FILTERS

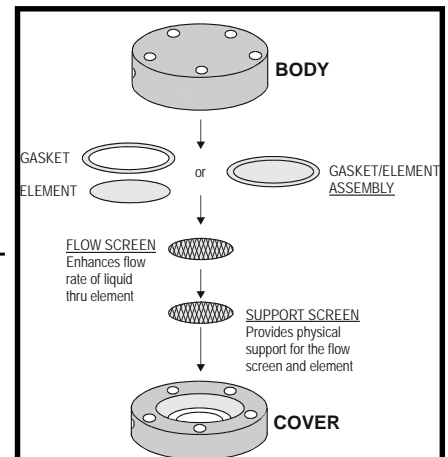


DISASSEMBLED VIEW OF TORNADO

- Designed specifically for analyzer sample conditioning applications
- Self-cleaning tornadic action
- Designed, manufactured, and supported by analyzer sample conditioning specialists

EASY TO USE AND MAINTAIN

- Convenient two piece design
- Easy access to elements without loosening or disconnecting sample lines
- Sample ports are located at 90° angles for easy tubing runs
- Single element yields same surface area as conventional self-cleaning filters which employ two elements
- Good selection of particulate elements for removing sub-micron particles from liquid samples.
- Inert seal material
 - Teflon G.U.T.S. Seal withstands radical temperature cycles



TORNADO

**EXPLODED VIEW OF
TORNADO
SELF-CLEANING FILTER**



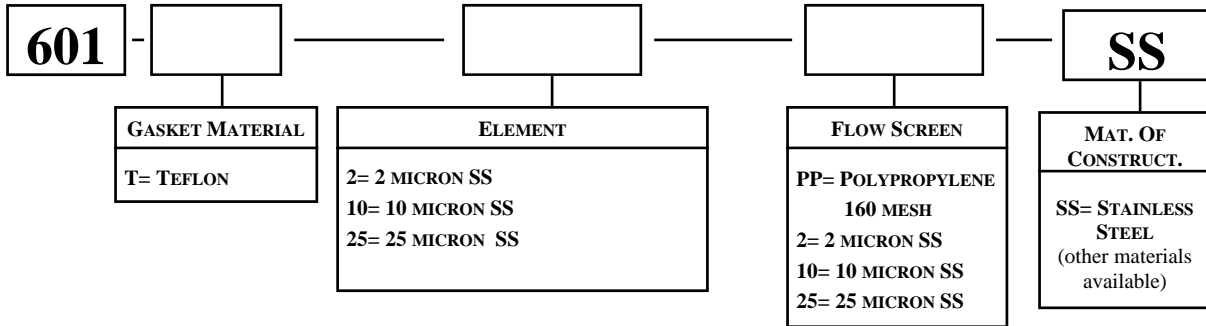
CORPORATION, LLC

41041 Black Bayou Rd, Gonzales, Louisiana, USA 70737
Phone (225) 644-5255 FAX (225) 644-3975
www.geniefilters.com sales@geniefilters.com

SPECIFICATION TABLE

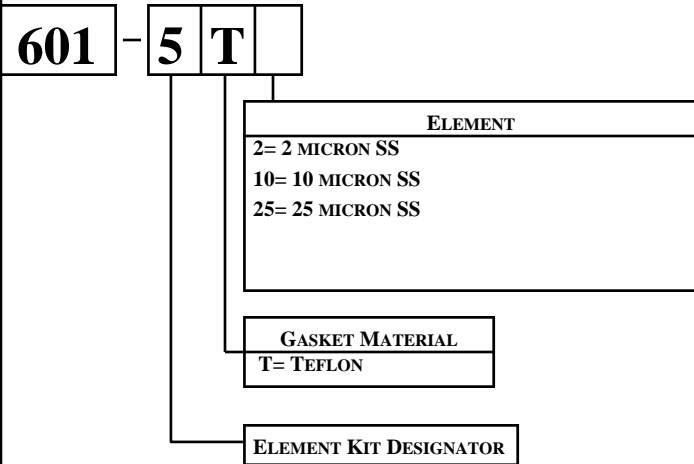
Model Number	Operating Pressure (PSIG)	Internal Volume (liters)	No. of Ports	Port Size			Seal Material	Housing
				Inlet	Outlet	Bypass		
601	1500	0.04	3	1/4"	1/4"	1/4"	Teflon (other elastomers available)	316 SS Standard

ORDERING INFORMATION

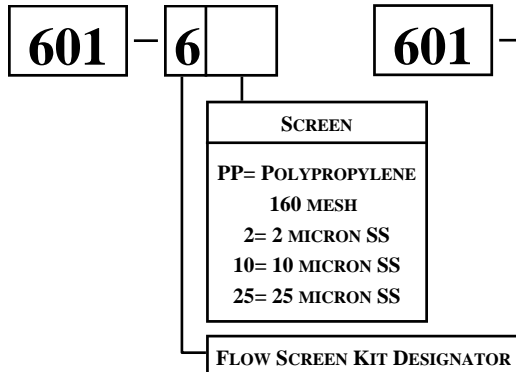


KIT ORDERING INFORMATION

GASKET/ELEMENT KIT



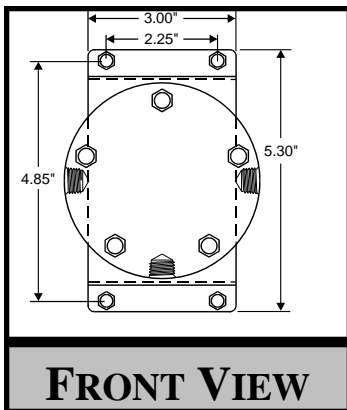
FLOW SCREEN KIT



BRACKET KIT



MOUNTING DIAGRAMS



TORNADO



MOUNT WITH
#10 SCREWS

