

G5

Tapeless Fittings



Quick Study

The G5 Tapeless Fittings™ are Analytically Correct™ in their design, eliminating the dead volume and required thread sealant that is common to NPT Fittings. G5 Fittings™ are mated *hand tight* with standard NPT fittings and utilize an integral elastomeric seal that eliminates the need for thread sealant. This saves the amount of time that is currently spent applying/removing thread sealant to/from NPT fittings and also removes the potential for thread galling.

Unlike other types of available fittings that do not require thread sealant, G5 Fittings™ are specifically designed to mate up with standard NPT fittings. There are currently three types of G5 Fittings™ available: a female adapter, a female coupling, and a female cap. For additional information on the use of these fittings, please refer to the G5 Fittings™ Application Brief.

Applications

- › Cylinder to tubing connection
- › Sample point connection
- › Protection against cylinder valve leakage

Benefits

- › Easy installation
- › No tape required
 - › Time saved
- › Hand tight seal up to 3,500 PSIG
 - › Thread galling eliminated
- › No tools required
- › No dead volume
- › Designed to mate up with standard NPT fittings

Features

- › Analytically Correct™ design
- › 316 Stainless Steel construction
- › Integral elastomeric seal

Technical Specifications

Maximum pressure rating	3,500 psig
Maximum temperature	235 °F (113 °C) (with Neoprene seals)
Wetted materials	Machined parts: 316 stainless steel / NACE compliant All other metal parts: stainless steel / NACE compliant Sealing material: Neoprene standard



An ISO 9001:2000 certified company



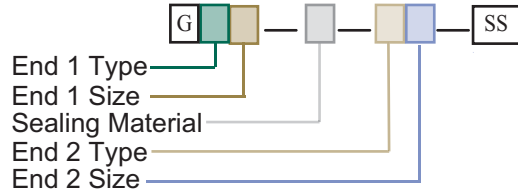
G5 Fittings™, and Analytically Correct™ design are trademarks or registered trademarks of A+ Corporation, LLC. All other referenced trademarks are the property of their respective owners.

Model Numbering & Additional Part Numbers

Your model number is determined by your specific needs. Choose options below.

End 1 Type	F = Female
End 1 Size	4 = 1/4 (other sizes available upon request)
Sealing Material	0 = Viton® 1 = Kalrez® 7 = Neoprene (other materials available upon request)
End 2 Type	MN = Male NPT CP = Cap GF = G Female
End 2 Size	4 = 1/4 (other sizes available upon request)

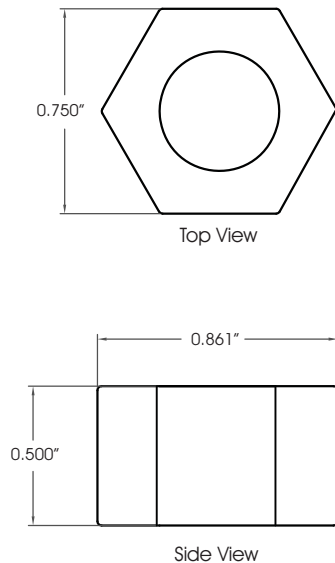
How to build the model number:



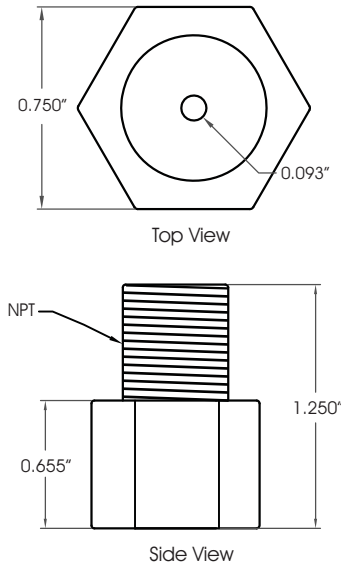
⚠ We cannot recommend specific sealing materials due to the complex nature of sample stream compositions. Temperature and pressure also may be factors.
⚠ Unless specified otherwise, the product will ship with our standard sealing materials and materials of construction stated in the technical specifications section of the corresponding Product Sheet. **⚠** Please refer to www.dupontelastomers.com for sealing material recommendations and advice. It is the user's responsibility to specify the sealing materials and other materials of construction for their application.

Dimensions

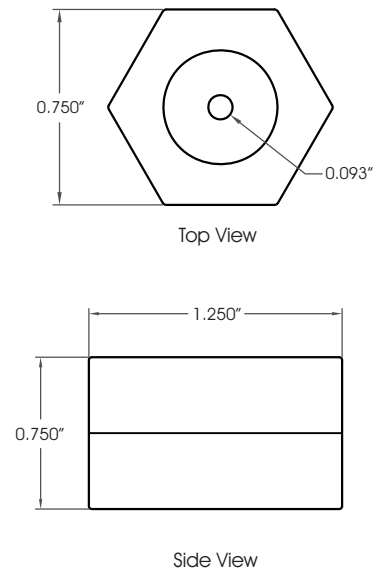
Female Cap



Female Adapter



Female Coupling



Local Distributor:



An ISO 9001:2000 certified company

Manufacturer

A+ Corporation, LLC

41041 Black Bayou Road

Gonzales, LA 70737

Call for expert product application assistance:

Phone: (225)-644-5255 Website: www.geniefilters.com

Fax: (225)-644-3975 E-mail: sales@geniefilters.com

©2010 A+ Corporation, LLC. All rights reserved.

SCC-G5-PS_0210