



Quick Study

Liquid carry over from the pipeline into the sample system should be prevented when sampling natural gas as it can directly impact the accuracy of the analysis and damage the analyzer. Industry standards state that equipment used to remove liquid from the sample must be operated at flowing temperature and pressure conditions. Genie[®] Probes[™] provide a means to insert Genie[®] Membrane Technology[™] directly into a pipeline for the purpose of separating unwanted liquid and particulate from the gas sample at flowing temperature and pressure conditions, in compliance with industry standards.

The Model 750[™] is an adjustable length, membrane tip probe that can be inserted and extracted from a pressurized line through a full opening valve without the use of a special insertion device or the force and bulky equipment associated with pneumatic or hydraulic methods. The Model 750[™] can be mounted vertically or horizontally, and its installation process is simple and straightforward.

Applications

- ▶ Continuous and composite gas sampling
 - ▶ Extract a representative sample from a multi phase gas source
- ▶ Protection against liquid and particulate
 - ▶ Online and portable gas analyzers
 - ▶ Composite samplers
 - ▶ Sample system components

Benefits

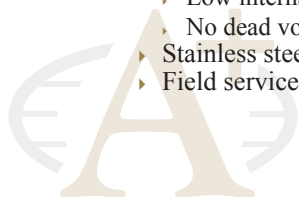
- ▶ API 14.1, GPA 2166 and ISO 10715 probe compliance
- ▶ Helps preserve sample integrity
- ▶ Easy, quick, safe insertion and extraction from pressurized system
- ▶ Does not require special insertion device or hydraulic fluid
- ▶ Horizontal or vertical mounting

Features

- ▶ Genie[®] Membrane Technology[™]
- ▶ Membrane shroud
- ▶ Adjustable length
- ▶ Vibration resistant
- ▶ Analytically Correct[™] Design
 - ▶ Low internal volume
 - ▶ No dead volume
- ▶ Stainless steel construction
- ▶ Field serviceable packing material


Technical Specifications

Maximum pressure rating	3,750 psig
Maximum temperature	185 °F (85 °C) with membrane 225 °F (107 °C) without membrane
Port sizes	Outlet: 1/8" female NPT with factory installed pipe adapter (standard) 1/16" female NPT without pipe adapter 1/4" female NPT with optional hex socket adapter Auxiliary: 1/8" female NPT (plugged from factory)
Probe lengths (for other lengths contact the factory)	L: 8", 12", 18", 24", 36" A: ~ 16", 20", 26", 32", 44" (refer to L & A dimensions on back)
Installation valve requirement	3/4", 1" or 1.5" NPT full opening valve (others available upon request) *The inner diameter must not be less than 3/4"
Wetted materials	Machined parts: 316 stainless steel / NACE compliant and Kevlar [®] threaded bushing All other metal parts: stainless steel / NACE compliant Sealing material: Teflon [®] / Neoprene standard Membrane: inert

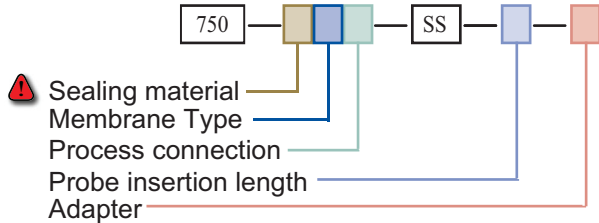










Model Numbering & Additional Part Numbers

Your model number is determined by your specific needs. Choose options below.

Sealing material 	0 = Teflon®/ Neoprene (other materials available upon request)		
Membrane type	6 = Type 6/BTU	0 = No membrane	
Process connection	3 = 3/4" NPT	4 = 1" NPT	6 = 1.5" NPT
Probe insertion length	8, 12, 18, 24, 36 inches		
Adapter	Blank = no adapter	A = Hex socket adapter	CSA = Hex/Composite sample
Sealing material replacement	Part # 75X-570	(sold separately)	
Membrane replacement	Part # 75X-CMA-506	(contains 1 complete assembly - sold separately)	
Speed wrench	Part # ACC-SW	(sold separately)	
Optional gauge	Part # ACC-Q14KC	(0-4,000 psig) (sold separately)	

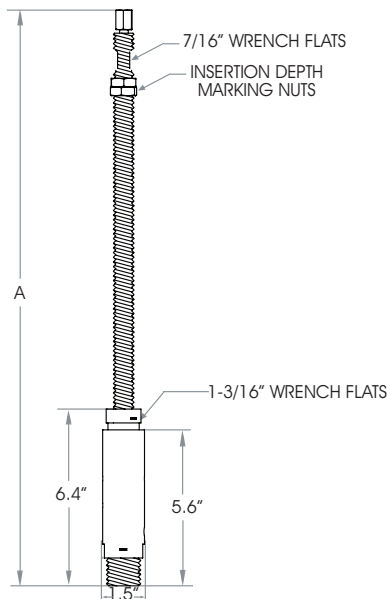
How to build the model number:



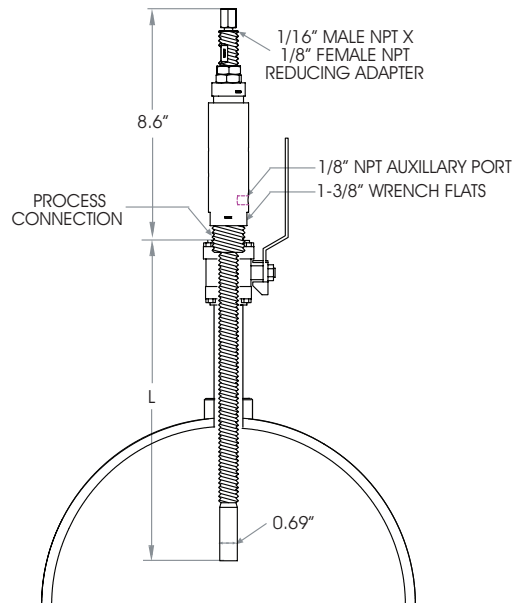
-  Sealing material
 -  Membrane Type
 -  Process connection
 -  Probe insertion length
 -  Adapter
-  We cannot recommend specific sealing materials due to the complex nature of sample stream compositions. Temperature and pressure also may be factors.
-  Unless specified otherwise, the product will ship with our standard sealing materials and materials of construction stated in the technical specifications section of the corresponding Product Sheet.  Please refer to www.dupontelastomers.com for sealing material recommendations and advice. It is the user's responsibility to specify the sealing materials and other materials of construction for their application.

Dimensions

Uninstalled



Installed



Local Distributor:

Manufacturer

A+ Corporation, LLC

41041 Black Bayou Road

Gonzales, LA 70737

Call for expert product application assistance:

Phone: (225)-644-5255 Website: www.geniefilters.com

Fax: (225)-644-3975 E-mail: sales@geniefilters.com



An ISO 9001:2008 certified company

©2010 A+ Corporation, LLC. All rights reserved.

SCC-750-PS_1211